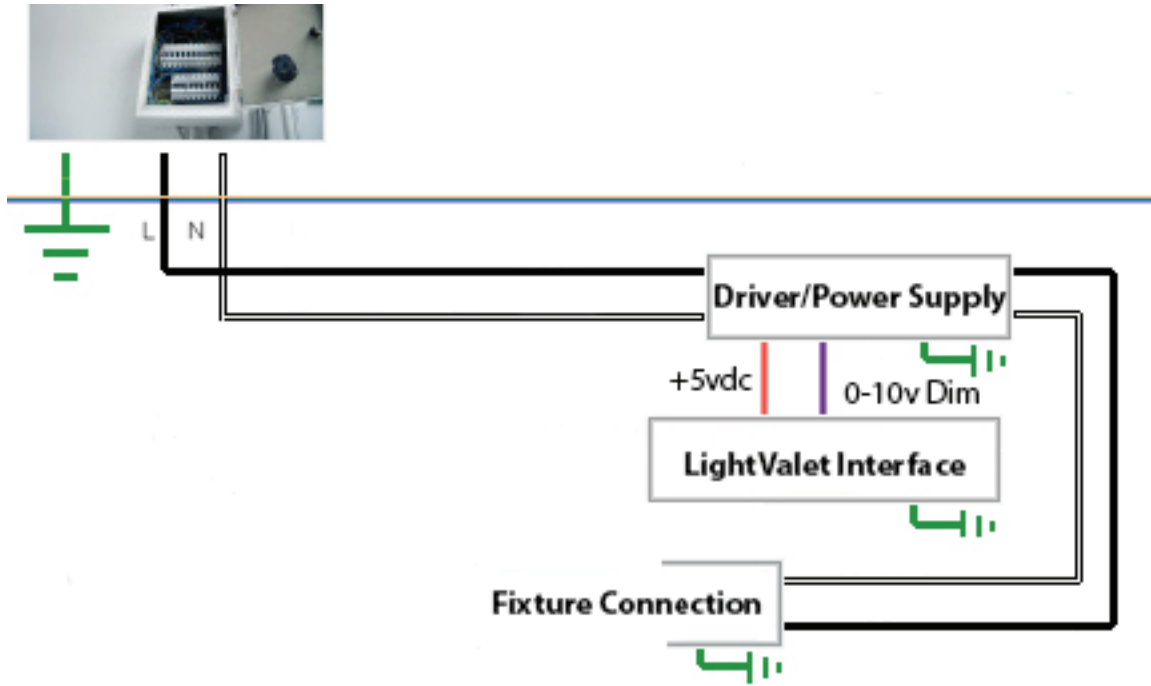


# LIGHTVALET INTERFACE - PLASMA LUMINAIRE WIRING



## DESCRIPTION

THE LIGHTVALET INTERFACE BOARDS ARE LOW POWERED COMPUTERS USED IN CONJUNCTION WITH A LIGHTVALET CONTROL MODULE FOR MANAGING AND CONTROLLING INTERIOR OR EXTERIOR LIGHTING. LIGHT CHARACTERISTICS CAN BE INSTANTLY MONITORED FROM ANYWHERE IIN THE WORLD. THE LIGHTVALET SERIES MANAGES SINGLE LIGHT TIMERS, ZONE TIMERS, DIMMING LIGHT LEVELS, MOTION/PROXIMITY AND DAY-LIGHT HARVESTING.

## MOUNTING

THE LIGHTVALET INTERFACE BOARD IS SUITABLE FOR MOUNTING INSIDE A BUILDING OR OUTSIDE. A WATER-TIGHT CASE IS AVAILABLE AS AN OPTION. OEM LICENSING IS AVAILABLE FOR INTEGRATORS TO CREATE A CUSTOM DESIGN AND THEN INCORPORATE INSIDE A LIGHT FIXTURE. THE LIGHTVALET INTERFACE BOARD SERIES IS SUPPLIED WITH ONE OF TWO DIFFERENT STYLE PLASTIC ENCLOSURES. A COMMERIAL INDUSTRY STANDARD 4 GANG ENCLOSURE FOR USE IN A HIDDEN ENVIRONMENT AVAILABLE WITH A CONDUIT ENTRYPOINT.

## SPECIFICATIONS

SUPPLY VOLTAGE EXTERNAL	.....	+5 VDC ± 10%
OUTPUT SIGNAL	.....	0–20MA
LINEARITY	.....	±5%
POWER CONSUMPTION	.....	1.5W
TEMPERATURE RANGE	.....	40° TO 120° F
WIRELESS	.....	802.154(ZIGBEE)
WIRED	.....	RS485 SERIAL, TERMINATED
MOTION SENSOR	.....	PIR(3 WIRE CONFIG)
DIMMING CONTROL	.....	0-10VDC

## WIRING

USE CAT-6 ETHERNET STYLE CABLE TO CONNECT EACH OF THE LIGHTVALET INTERFACE BOARDS TO EACH OTHER IN A DASIIY CHAIN CONFIGURATION TO THE LIGHTVALET MAIN CONTROLLER. THE MAXIMUM WIRE LENGTH FROM EACH INTERFACE MODULE IS 250 FEET: WIRELESS WILL BE AUTOMATICALLY SETUP AT POWER ON OF THE MAIN CONTROLLER.

